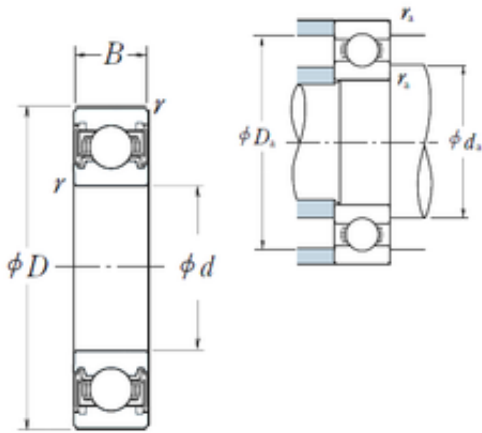


NSK Ball Bearing 6911VV

Bearing No. 6911VV



6911VV Bearing 2D drawings and 3D CAD models

Size	55x80x13 mm
Bore Diameter	55 mm
Outer Diameter	80 mm
Width	13 mm
d	55 mm
D	80 mm
B	13 mm
C	13 mm
r min.	1 mm
da min.	60 mm
da max	61,5 mm
Da max.	75 mm
ra max.	1 mm
Weight	0,189 Kg
Basic dynamic load rating (C)	16 kN
Basic static load rating (C0)	13,3 kN
(Grease) Lubrication Speed	8 000 r/min
Category	Single Row Ball Bearings
Inventory	0.0
Manufacturer Name	NSK
Minimum Buy Quantity	N/A
Weight / Kilogram	0.183
EAN	0029176418280
Product Group	B00308
Enclosure	2 Seals
Precision Class	ABEC 1 ISO P0



Panda Bearing Co., Ltd

Maximum Capacity / Filling Slot	No
Rolling Element	Ball Bearing
Snap Ring	No
Internal Special Features	No
Cage Material	Steel
Enclosure Type	Non-Contact Seal
Internal Clearance	C0-Medium
Inch - Metric	Metric
Long Description	55MM Bore; 80MM Outside Diameter; 13MM Outer Race Diameter; 2 Seals; Ball Bearing; ABEC 1 ISO P0; No Filling Slot; No Snap Ring; No Internal Special Features
Category	Single Row Ball Bearing
UNSPSC	31171504
Harmonized Tariff Code	8482.10.50.68
Noun	Bearing
Keyword String	Ball
Manufacturer URL	http://www.nskamericas.com
Weight / LBS	2.165
Bore	2.165 Inch 55 Millimeter
Outside Diameter	3.15 Inch 80 Millimeter
Outer Race Width	0.512 Inch 13 Millimeter
SRI	3.7
hidYobi	6911VV
LangID	1
D_	80
SREX	0.02
B_	13
da min	60



Panda Bearing Co., Ltd

hidTable	ecat_NS RDGB
SRE	3.7
mass	0.189
GRS rpm	8000
ra	1
SRIX	0.02
D_a	75
SRIN	-0.02
C0	13.3
fo	16.2
SREN	-0.02
DE_	74.644
Prod_Type3	DGBB_SR_VV
DA_	7.144
bomp	0
Z_	16
yobi	6911VV
C_conv	16000
ALPHA_	0
SDM_	67.5
r	1
KBRG	6151
SBRG	19
DI_	60.356